

Part number

CHCR 06 L



Brief description:

covers, size "44.27" 180 °C version, 180 °C version, IP65



Product description

Version	180 °C version
Series	covers with pegs
Product type	with 2 pegs
Family	CLASS enclosures
Size	size "44.27", covers

Technical data

Operating temperature range (min, max)	-40°C ... +180°C
Material	metal
IP degree of protection	IP65

Further technical details

Weight	44,00 g
---------------	---------

Approvals / Standards

Quality mark	 (type:4/4X/12),  , EAC
Conformity	CQC, CE

General ordering information

EAN13 code	8015747016667
Tariff number	85369095

Packaging Information

Sub-packaging weight	0,22 kg
Sub-packaging description	Carton
Sub-packaging quantity	5 Pcs
Sub-packaging EAN barcode	8015747016674

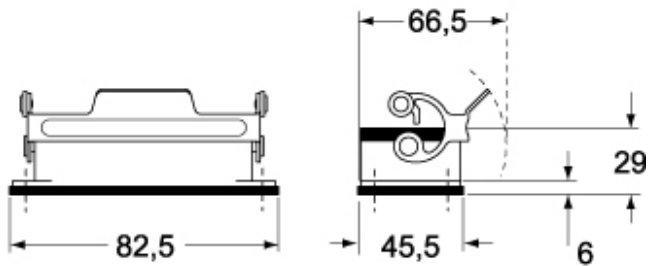
Part number

CHCR 06 L

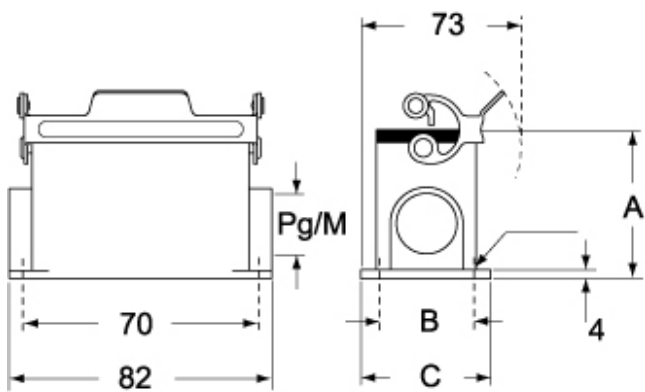


Catalogue drawings

CZIR L



CZPR L CZAPR L - MZPR L MZAPR L



CHCR L

